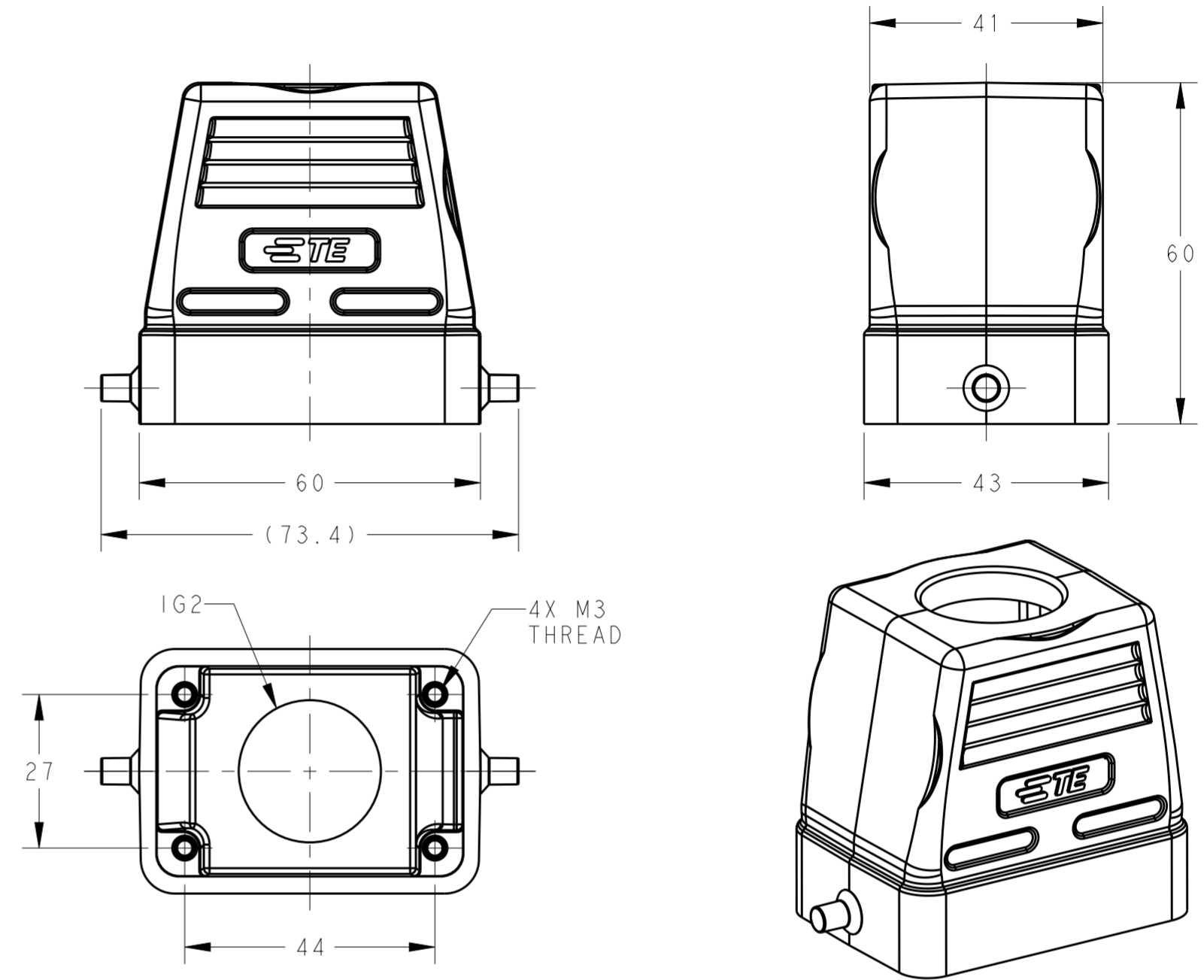
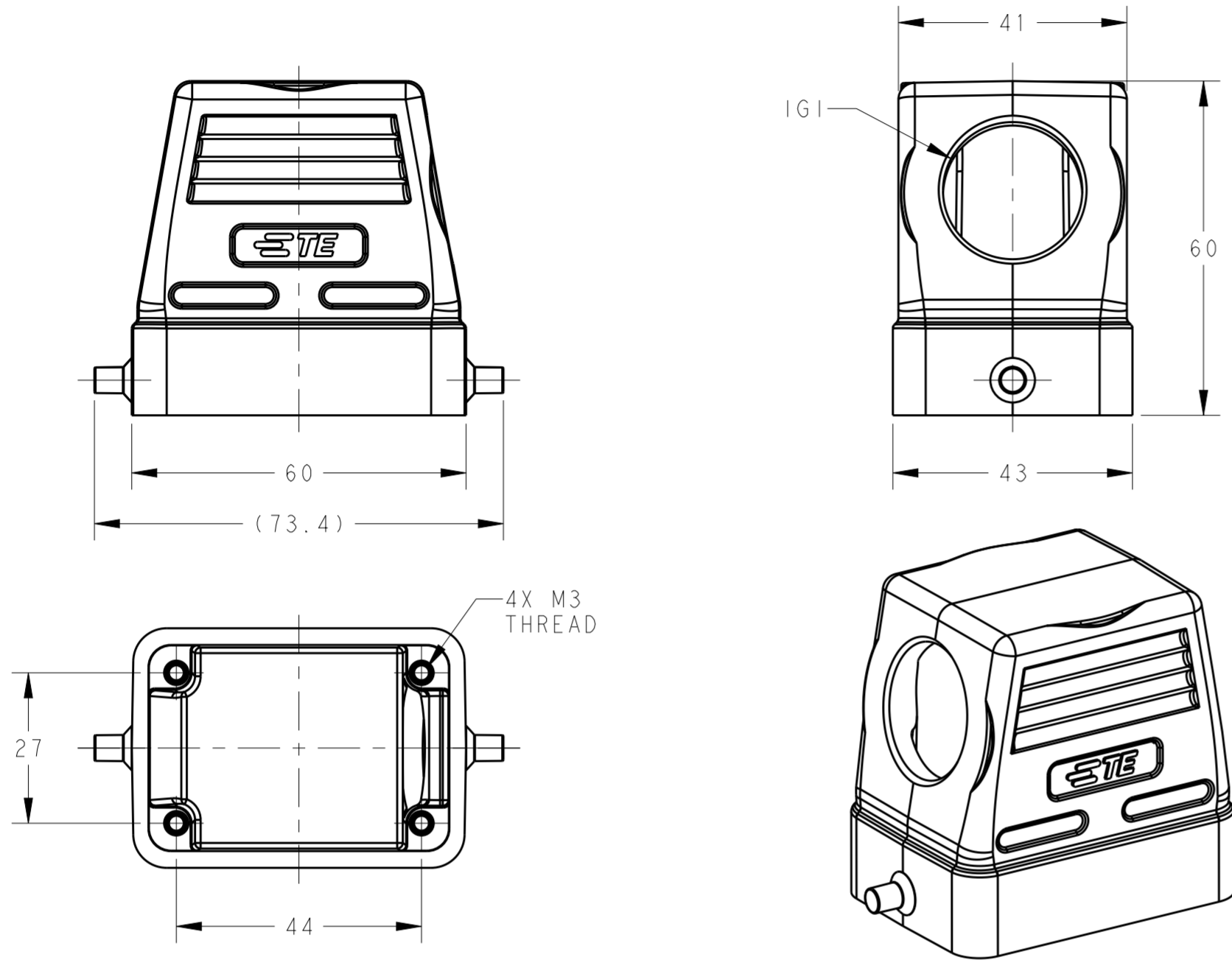


THIS DRAWING IS UNPUBLISHED. RELEASED FOR PUBLICATION 20
 © COPYRIGHT 20 BY - ALL RIGHTS RESERVED.

| REVISIONS | | | | |
|-----------|-----|-------------|-----------|-------|
| P | LTR | DESCRIPTION | DATE | APVD |
| | A | INITIAL | 05JUN2015 | DW CW |
| | | | | |
| | | | | |

TYPE 1: LOW CONSTRUCTION, SIDE ENTRY

TYPE 2: LOW CONSTRUCTION, TOP ENTRY



NOTES:
 I. TECHNICAL CHARACTERISTICS:
 HOOD MATERIAL: DIE CAST ALUMINIUM ALLOY
 SURFACE: POWDER COATED, GREY
 OPERATION TEMPERATURE: -40-+125°C
 DEGREE OF PROTECTION: IP65 (MATED)

注释:
 I. 技术参数:
 上壳材料: 铝合金
 表面处理: 粉末涂层, 灰色
 工作温度: -40-+125°C
 防护等级: IP65(配合)

| | | | | |
|-----------------|------------|---------------|--------|--------|
| T1310060105-000 | TYPE 1 | H6B-TS-G1/2 | G1/2 | - |
| T1310060111-000 | | H6B-TS-PG11 | PG11 | - |
| T1310060113-000 | | H6B-TS-PG13.5 | PG13.5 | - |
| T1310060116-000 | | H6B-TS-PG16 | PG16 | |
| T1310060120-000 | | H6B-TS-M20 | M20 | |
| T1310060121-000 | | H6B-TS-PG21 | PG21 | |
| T1310060125-000 | H6B-TS-M25 | M25 | - | |
| T1320060113-000 | TYPE 2 | H6B-TG-PG13.5 | - | PG13.5 |
| T1320060116-000 | | H6B-TG-PG16 | - | PG16 |
| T1320060120-000 | | H6B-TG-M20 | - | M20 |
| T1320060121-000 | | H6B-TG-PG21 | - | PG21 |
| T1320060125-000 | | H6B-TG-M25 | - | M25 |
| T1320060132-000 | | H6B-TG-M32 | - | M32 |
| PART NUMBER | TYPE | DESCRIPTION | IG1 | IG2 |

THIS DRAWING IS A CONTROLLED DOCUMENT.

DWN David Wang 05JUN2015
 CHK Chris Wang 05JUN2015
 APVD Xiang Xu 05JUN2015

STE TE Connectivity

NAME H6B-TS/TG/TSH/TGH-M/PG

PRODUCT SPEC 108-137013
 APPLICATION SPEC 114-137013

SIZE A2 CAGE CODE 00779 DRAWING NO. T13X00601XX000 RESTRICTED TO -
 WEIGHT - SCALE 1:1 SHEET 1 OF 2 REV A

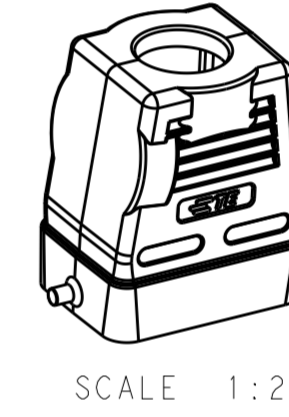
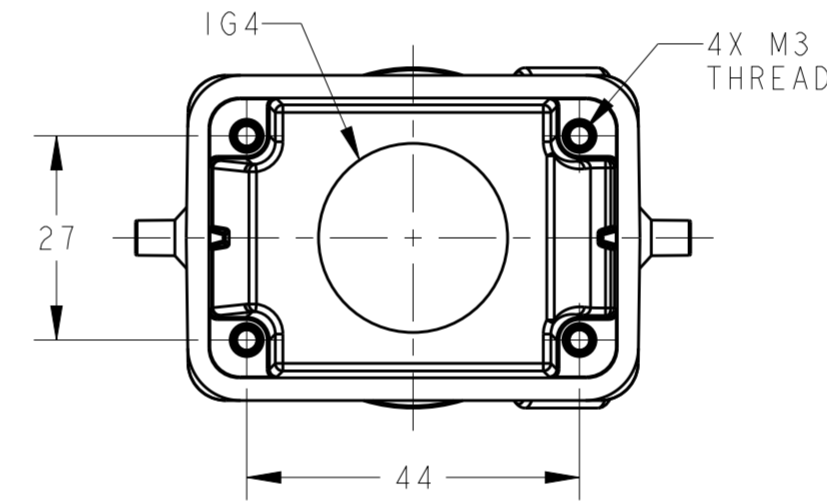
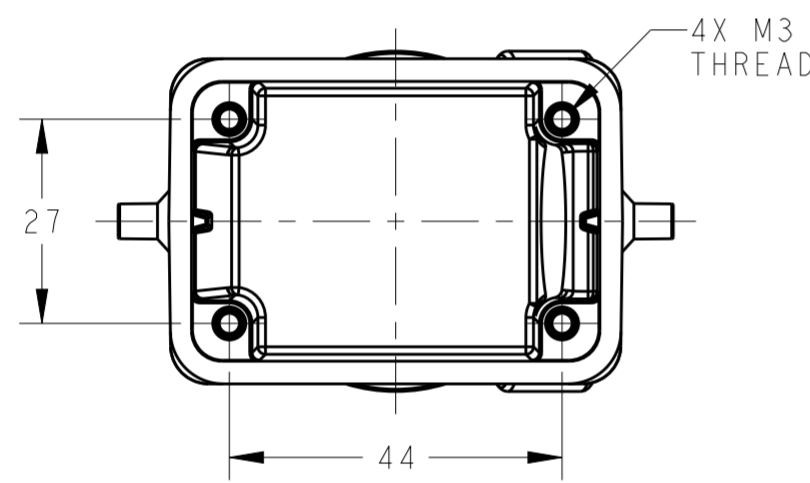
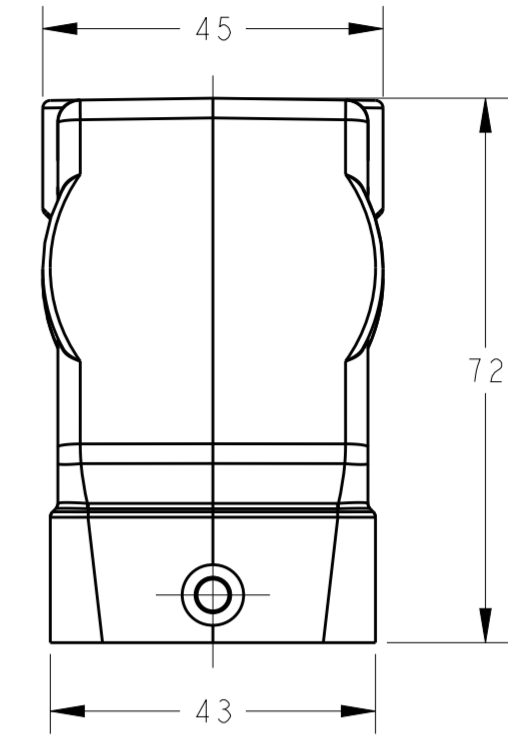
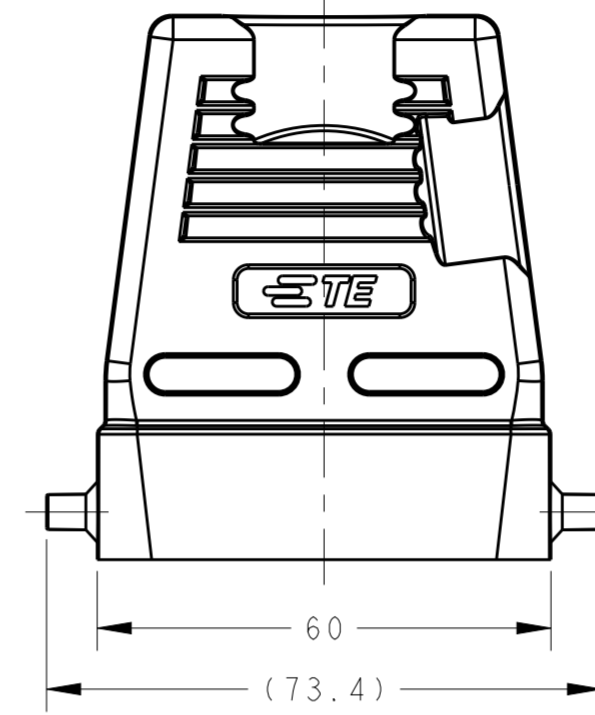
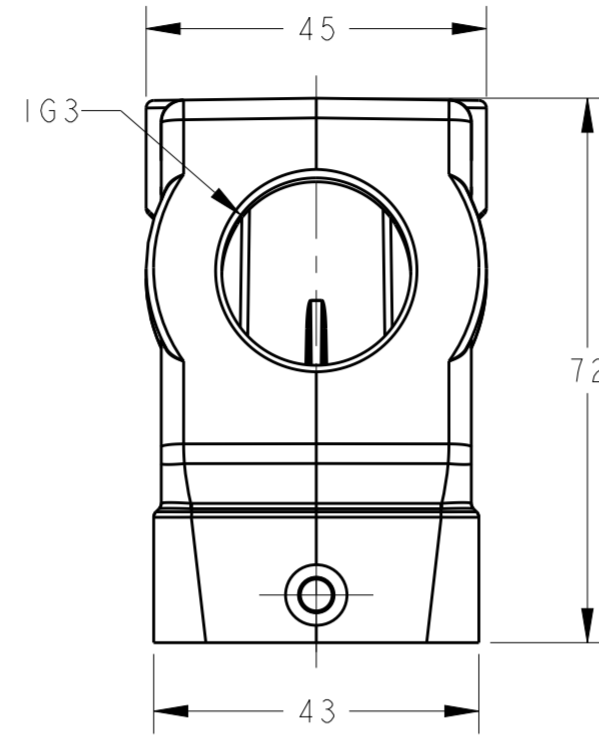
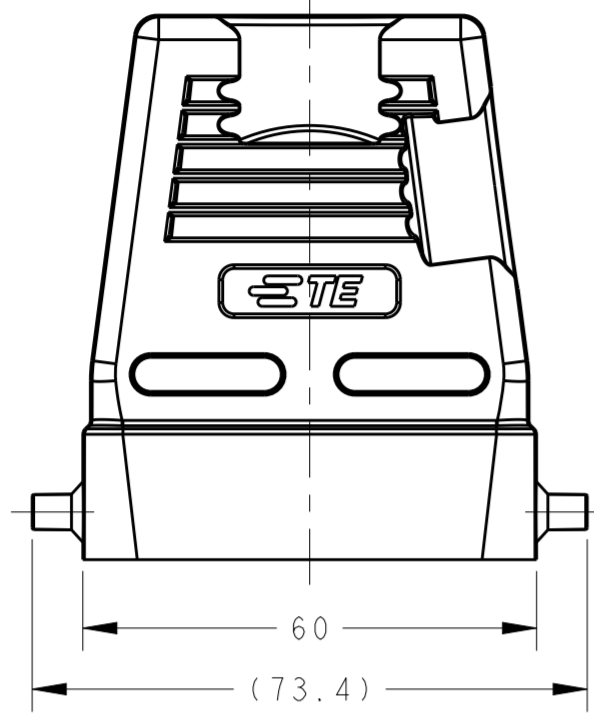
Customer Drawing

THIS DRAWING IS UNPUBLISHED. RELEASED FOR PUBLICATION 20
 © COPYRIGHT 20 BY - ALL RIGHTS RESERVED.

| REVISIONS | | | | |
|-----------|-----|-------------|------|------|
| P | LTR | DESCRIPTION | DATE | APVD |
| - | | SEE SHEET 1 | - | - |
| | | | | |
| | | | | |

TYPE 3: HIGH CONSTRUCTION
SIDE ENTRY

TYPE 4: HIGH CONSTRUCTION
TOP ENTRY



NOTES:
SEE SHEET 1

| | | | | |
|-----------------|--------|----------------|--------|--------|
| T1330060113-000 | TYPE 3 | H6B-TSH-PG13.5 | PG13.5 | - |
| T1330060116-000 | | H6B-TSH-PG16 | PG16 | - |
| T1330060120-000 | | H6B-TSH-M20 | M20 | - |
| T1330060121-000 | | H6B-TSH-PG21 | PG21 | - |
| T1330060125-000 | | H6B-TSH-M25 | M25 | - |
| T1330060129-000 | | H6B-TSH-PG29 | PG29 | - |
| T1330060132-000 | | H6B-TSH-M32 | M32 | - |
| T1340060120-000 | TYPE 4 | H6B-TGH-M20 | - | M20 |
| T1340060121-000 | | H6B-TGH-PG21 | - | PG21 |
| T1340060125-000 | | H6B-TGH-M25 | - | M25 |
| T1340060129-000 | | H6B-TGH-PG29 | - | PG29 |
| T1340060130-000 | | H6B-TGH-M30 | - | M30 |
| T1340060132-000 | | H6B-TGH-M32 | - | M32 |
| T1340067134-000 | | H6B-TGH-NPT3/4 | - | NPT3/4 |
| PART NUMBER | TYPE | DESCRIPTION | IG3 | IG4 |

| | | | | |
|--|--|-----------------------------|---|--|
| THIS DRAWING IS A CONTROLLED DOCUMENT. | | DWN 05JUN2015 David Wang | TE Connectivity | |
| | | CHK 05JUN2015 Chris Wang | | |
| | | APVD 05JUN2015 Xiang Xu | NAME H6B-TS/TG/TSH/TGH-M/PG | |
| DIMENSIONS: mm | | PRODUCT SPEC 108-137013 | SIZE CAGE CODE DRAWING NO RESTRICTED TO | |
| TOLERANCES UNLESS OTHERWISE SPECIFIED: | | APPLICATION SPEC 114-137013 | A200779 C-T13X00601XX000 | |
| MATERIAL | | WEIGHT | SCALE 1:1 SHEET 2 OF 2 REV A | |
| | | Customer Drawing | | |